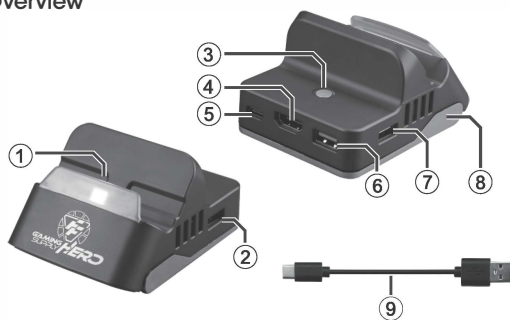


User Guide

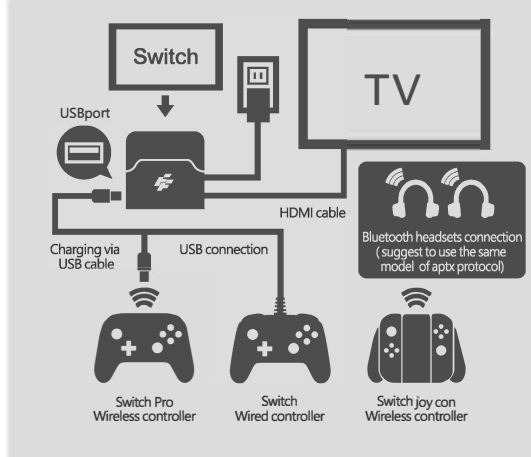
Overview



Overview	
1 Switch port (TYPE-C)	6 USB 3.0 port
2 USB port	7 USB port
3 Connection and setting key of BT headset	8 Multi-angle adjustable bracket
4 HDMI port	9 TYPE-C to USB (power) cable
5 TYPE-C power supply port	

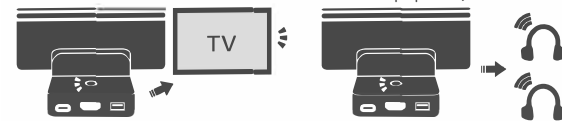
How to use

Indoor



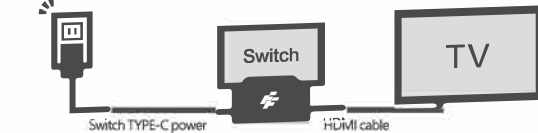
■ The default is "Bluetooth" mode, the TV will not have sound, please press "Ⓞ" to turn on the TV's volume.

■ Bluetooth mode: Press and hold the "Ⓞ" button to connect the Bluetooth Headphones (suggest to use the same model of aptx protocol)

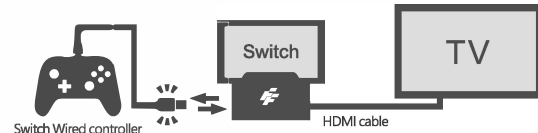


ATTENTION

■ To connect a TV, you must connect TYPE-C power supply.



■ Connecting a TV, you must re-plug the (third-party) wired USB controller that supports Switch.



Q&A

Q: if you can't connect Bluetooth headset?
A: Please check if the Bluetooth headset is turned on.

A: Please press and hold "Ⓞ" to connect the Bluetooth headset.

Q: Wired Joy-con has no response.

A: When you switch to TV for use, you must re-plug the wired USB controller.

■ If you have any questions, please contact our customer service center.

Customer Service

12-month warranty

Lifetime technical support

■ To register as a member, please go to www.flashfire.com.tw > Member Service section. After registration, you can find your product under Member Service section. We will offer you the membership warranty service after registration.



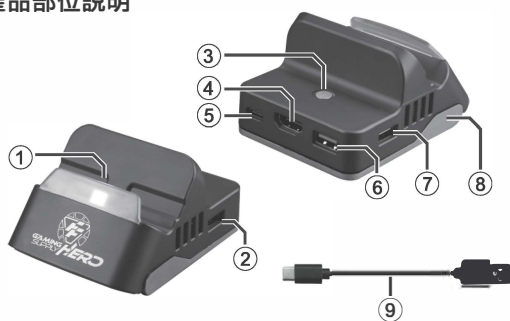
Distribution in Taiwan :
Flash Fire Accessories Inc.
8F-7, No. 14, Ln. 609, Sec. 5, Chongxin Rd.,
Sanchong Dist., New Taipei City 24158, Taiwan
Tel.: +886-2-2278-1500



www.flashfire.tw

FlashFire™ is a registered trade mark of Sanmos Group®. Nintendo® Switch™ is a trademark of Nintendo®. This product is not manufactured, sponsored, endorsed, licensed or distributed by Nintendo®. All trademarks are the property of their respective owners. All rights reserved.

產品部位說明

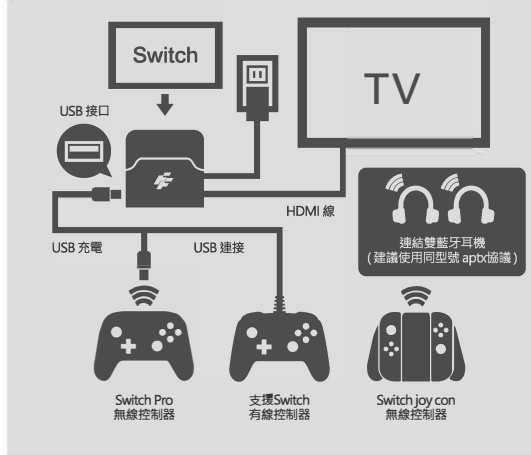


說明	
1 Switch 本體接口 (TYPE-C)	6 USB 3.0 接口
2 USB 接口	7 USB 接口
3 藍牙耳機連接鍵	8 多角度調整支架
4 HDMI 接口	9 TYPE-C 轉 USB 傳輸 / 電源線
5 TYPE-C 電源供應接口	

如何使用

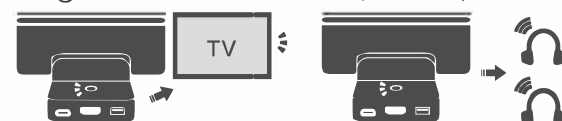
室內

★若有安裝保護殼請移除後再使用本產品



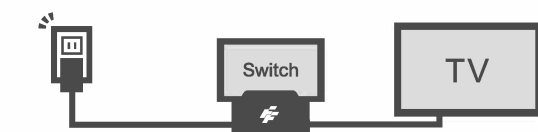
■ 底座預設為藍牙模式，電視 不會有聲音 請按一次 "Ⓞ" 鈕，開啟電視 音效

■ 藍牙模式下長按 "Ⓞ" 鈕，開始連結藍牙耳機 (建議 使用同型號 aptx協議)。

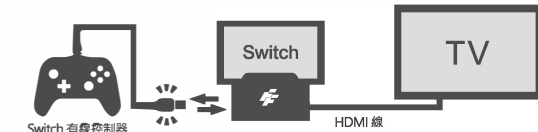


注意事項

■ 連接電視 必須連接 TYPE-C 電源。



■ 連接電視 後，必須將 (副廠) 支援Switch的有線控制器USB 重新插拔。



解決方案

Q: 藍牙耳機無法連結?

A: 請檢查藍牙耳機是否開啟。

A: 請長按 "Ⓞ" 連接藍牙耳機。

Q: 有線控制器沒反應?

A: 切換成電視 使用 必須將有線控制器USB 重新插拔連結。

Q: Switch安裝 後無法使用?

A: 若有安裝 保護殼 請移出 後再 使用。

■ 如有其它問題請聯繫本公司客服

粉絲團: <https://www.facebook.com/flashfire/tw/>

客服支援

12 個月保固

終生客服支援

■ 請至 " www.flashfire.com.tw " 會員 服務項目中註冊 會員，註冊 完畢 會員 服務項目出現中產品註冊 完畢 可享會員 保固服務。



台灣總代理
宏德科技股份有限公司
新北市三重區重新路五段609巷14號8樓-7
電話: +886-2-2278-1500



www.flashfire.tw

FlashFire™ is a registered trade mark of Sanmos Group®. Nintendo® Switch™ is a trademark of Nintendo®. This product is not manufactured, sponsored, endorsed, licensed or distributed by Nintendo®. All trademarks are the property of their respective owners. All rights reserved.